

# Sigma Indoor



WALL

## SPECIFICATION SHEET

### Sigma Indoor



#### Model 1740

##### Type

W Wall

##### Size

27 27.0" [686mm]  
39 39.0" [991mm]  
51 51.0" [1295mm]  
Custom

##### Wattage<sup>1,2</sup>

##### 27"

L 6W (800lm)  
M 12W (1485lm)

##### 39"

L 9W (1200lm)  
M 18W (2230lm)

##### 51"

L 12W (1600lm)  
M 24W (2970lm)

##### Color Temp<sup>3</sup>

30 3000  
35 3500  
40 4000

##### Voltage

2 220/240 Volt

##### Driver

RD Remote  
ID Integral

##### Control - RD

S Non-dim  
D010 0-10V  
DALI DALI  
SWD SwitchDIM  
X If integral driver is selected

##### Control - ID

S Non-dim  
D010 0-10V  
DALI DALI  
SWD SwitchDIM  
X If remote driver is selected

##### Diffuser

SA Satin clear acrylic

##### Finish

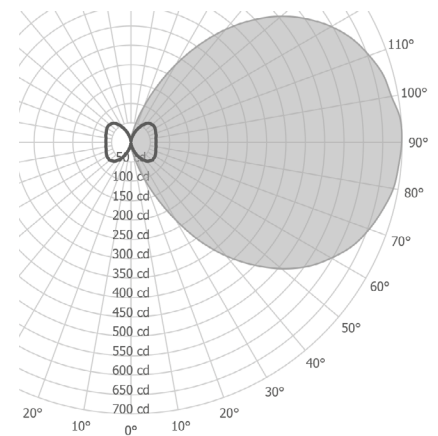
19 Painted anodized aluminum -  
RAL 9006 matte  
21 Painted white - RAL 9010 matte  
26 Painted black - RAL 9005 matte  
22 Painted custom color

##### Notes

1 Nominal lumens value specified  
2 Linear LED board, constant voltage  
24 Volt  
3 90+ CRI standard

##### Example fixture number:

1740 - W - 39 - L - 30 - 2 - ID - X - S - SA - 19



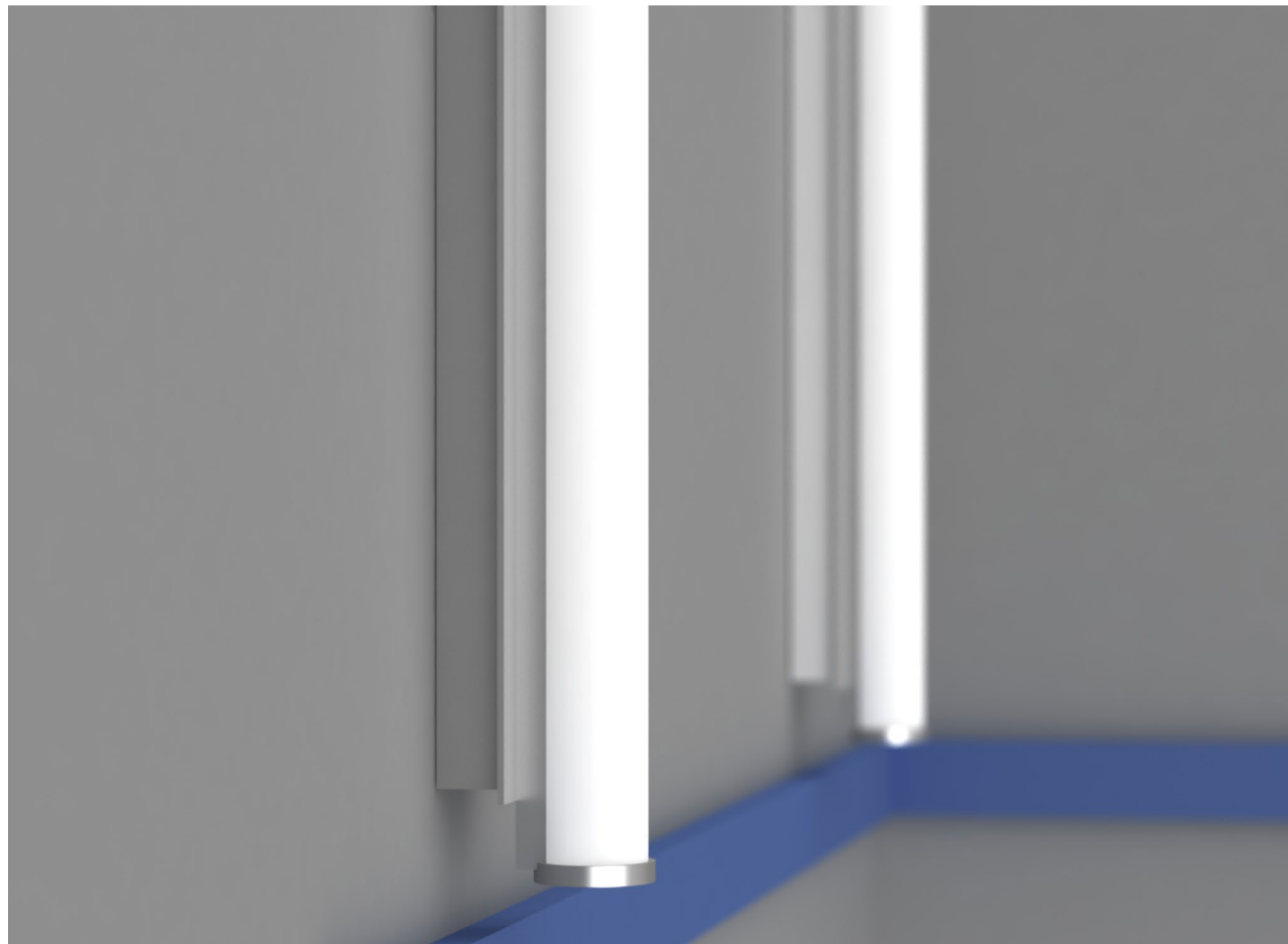
# Sigma Indoor

WALL

Wall sconce with formed aluminum housing and machined end caps. The diffuser is Satin Clear Acrylic. The fixture can be arranged vertically or horizontally. Ideal illumination for architectural entrances. Well suited for hallway applications.



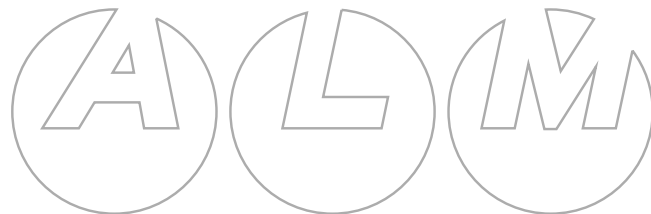
Size	
27	27" [686mm]
39	39" [991mm]
51	51" [1,295mm]
Custom	



\* 50mm diameter diffuser cylinder  
\* Fixture is ADA compliant

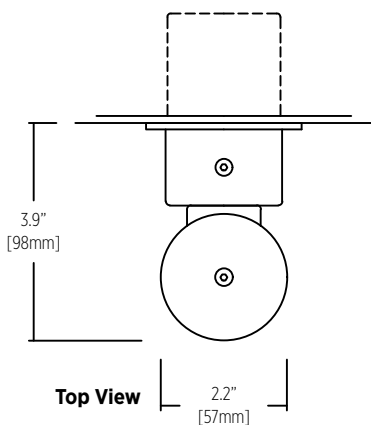
# Sigma Indoor

WALL

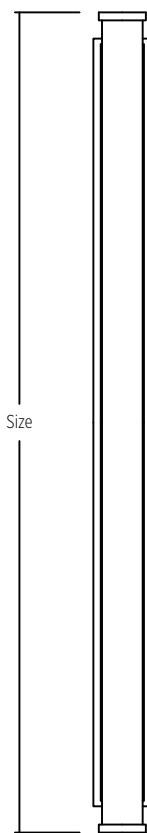


## SPECIFICATION SHEET

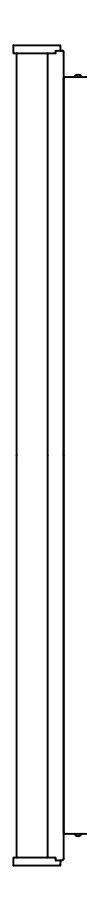
Sigma Indoor



Top View



Size



2" x 3" Vertically Oriented  
Switch Box (By Others)

